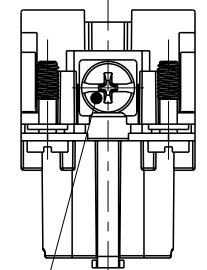
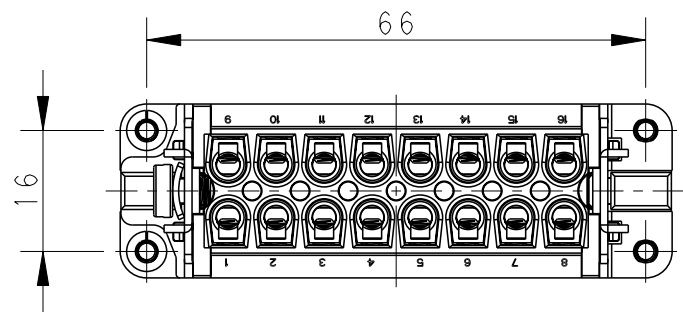
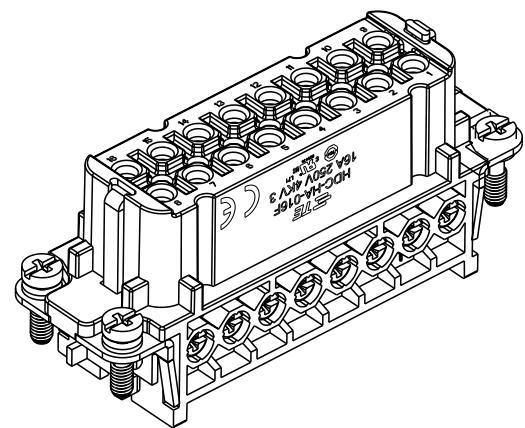
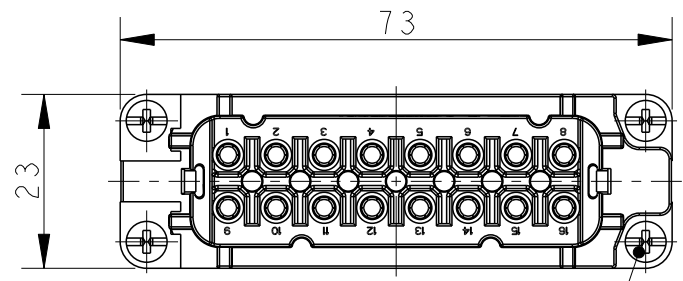
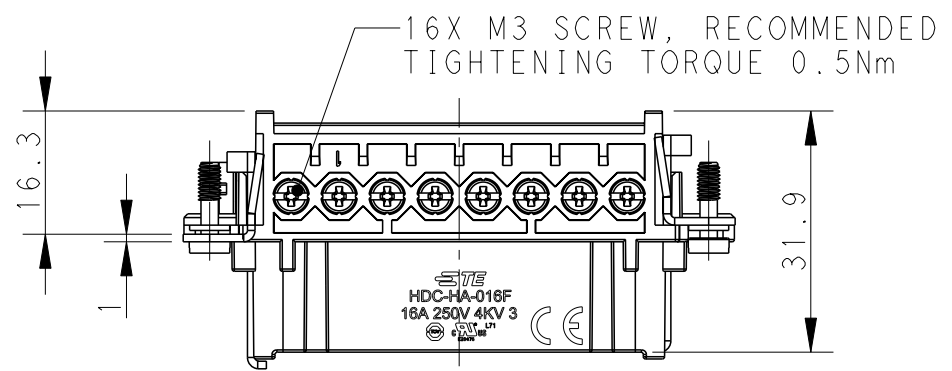


THIS DRAWING IS UNPUBLISHED. RELEASED FOR PUBLICATION 20  
 © COPYRIGHT 20 BY - ALL RIGHTS RESERVED.

REVISIONS					
P	LTR	DESCRIPTION	DATE	DWN	APVD
A1		ECR-15-004309	19MAR2014	DW	CW
B		ECR-15-013750	17SEP2015	DW	CW
B1		ECR-15-016224	05NOV2015	DW	CW
C		ECR-20-016101	09JUN2021	BS	CW



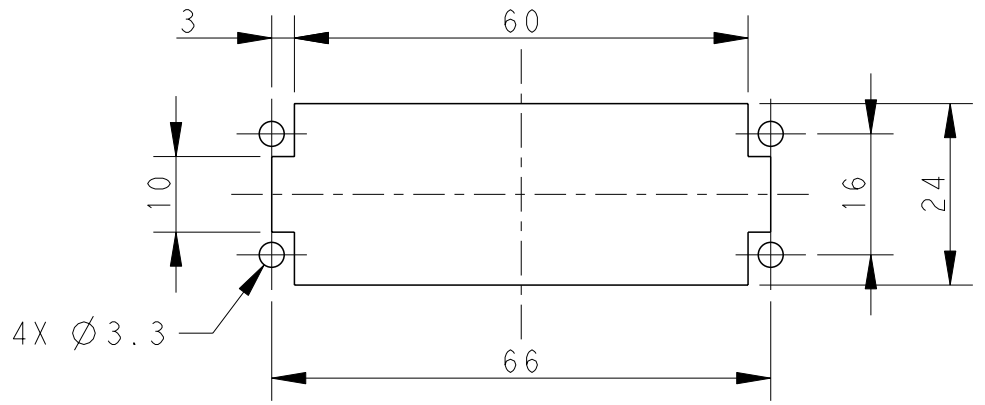
M4 SCREW  
RECOMMENDED  
TIGHTENING TORQUE 1.2Nm



NOTES:  
 1. TECHNICAL CHARACTERISTICS:  
 INSULATION MATERIAL: PC  
 RATED VOLTAGE: 250 V  
 RATED CURRENT: 16 A  
 INSULATION RESISTANCE: >=400MΩ  
 RATED IMPULSE VOLTAGE: 4 KV  
 POLLUTION DEGREE: 3  
 FLAMMABILITY: UL94V-0  
 MATING CYCLES: 500 CYCLES  
 WIRE RANGE: 0.5-2.5 mm<sup>2</sup> (20-14 AWG)  
 CONTACT FINISH: SILVER PLATED  
 CONTACT TYPE: SCREW CONTACT

注释:  
 1. 技术参数:  
 绝缘材料: PC  
 额定电压: 250V  
 额定电流: 16A  
 绝缘电阻: >=400MΩ  
 额定脉冲电压: 4 KV  
 污染等级: 3  
 阻燃等级: UL94V-0  
 插拔次数: 500 次  
 接线范围: 0.5-2.5 mm<sup>2</sup> (18-14 AWG)  
 端子表面处理: 镀银  
 接线类型: 螺丝连接

PANEL CUT FOR INSERTS FOR USE  
WITHOUT HOODS/ HOUSINGS



THIS DRAWING IS A CONTROLLED DOCUMENT.	
DIMENSIONS: mm	TOLERANCES UNLESS OTHERWISE SPECIFIED: 0 PLC ±- 1 PLC ±- 2 PLC ±- 3 PLC ±- 4 PLC ±- ANGLES ±- FINISH -
MATERIAL -	-

DWN David Wang 10NOV2014	10NOV2014	HA-016-F	T2010162201-000
CHK Chris Wang	10NOV2014	DESCRIPTION	PART NUMBER
APVD Xiang Xu	10NOV2014	TE Connectivity	
PRODUCT SPEC 108-137045	NAME HA-016-F		
APPLICATION SPEC 114-137045	SIZE A3	CAGE CODE 00779	DRAWING NO T2010162201000
WEIGHT -	RESTRICTED TO -	SCALE 1:1	SHEET 1 OF 1
Customer Drawing	REV C		

printed on 9 Jun 2021 13:10 (China Standard Time) from TE236667