

THIS DRAWING IS UNPUBLISHED.

RELEASED FOR PUBLICATION

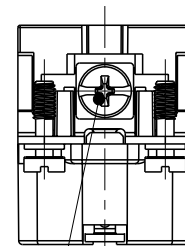
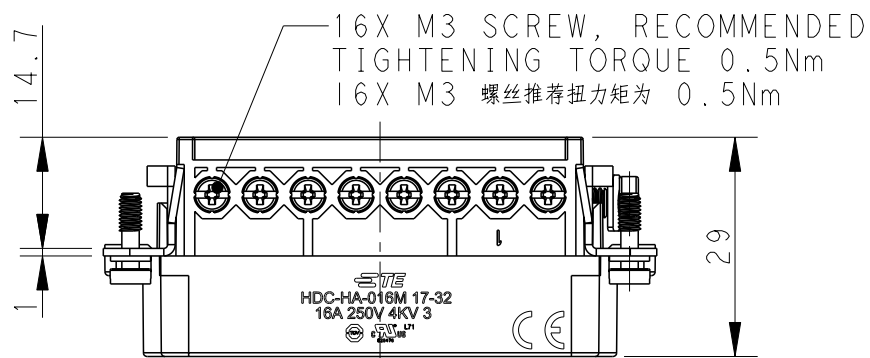
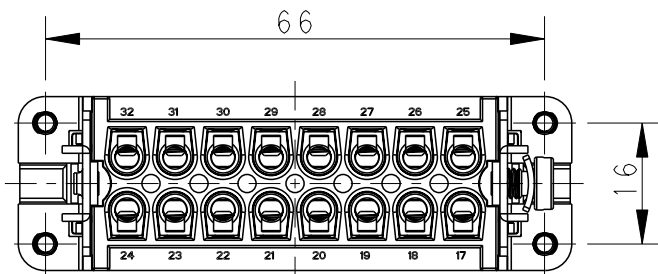
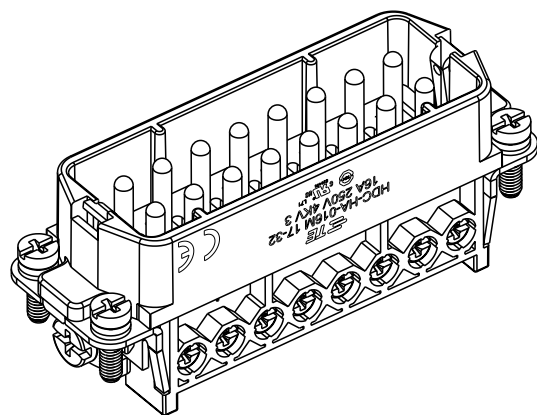
20

© COPYRIGHT 20 BY -

ALL RIGHTS RESERVED.

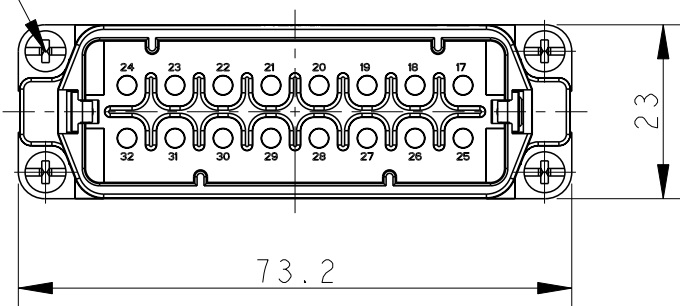
REVISIONS

P	LTR	DESCRIPTION	DATE	DWN	APVD
	B	ECR-15-013750	23SEP2015	DW	CW
	B1	ECR-15-016224	05NOV2015	DW	CW
	B2	ECR-18-008588	09JUL2018	KW	CW
	C	ECR-20-016101	09JUN2021	BS	CW



4X M3 SCREW, RECOMMENDED
TIGHTENING TORQUE 0.5Nm
4X M3 螺丝推荐扭力矩为 0.5Nm

M4 SCREW, RECOMMENDED
TIGHTENING TORQUE 1.2Nm
M4 螺丝推荐扭力矩为 1.2Nm



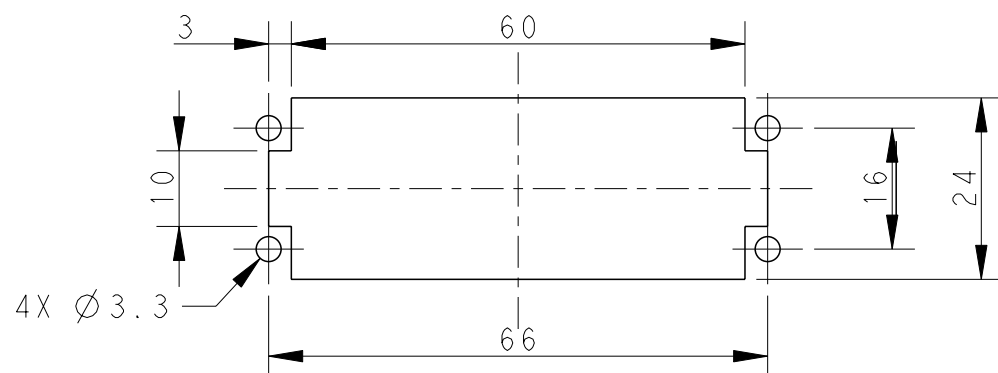
NOTES:

- TECHNICAL CHARACTERISTICS:
INSULATION MATERIAL: PC
RATED VOLTAGE: 250 V
RATED CURRENT: 16 A
INSULATION RESISTANCE: >=400MΩ
RATED IMPULSE VOLTAGE: 4 KV
POLLUTION DEGREE: 3
FLAMMABILITY: UL94V-0
MATING CYCLES: 500 CYCLES
WIRE RANGE: 0.5-2.5 mm² (20-14 AWG)
CONTACT FINISH: SILVER PLATED
CONTACT TYPE: SCREW CONTACT

注释:

- 技术参数:
绝缘材料: PC
额定电压: 250V
额定电流: 16A
绝缘电阻: >=400MΩ
额定脉冲电压: 4 KV
污染等级: 3
阻燃等级: UL94V-0
插拔次数: 500 次
接线范围: 0.5-2.5 mm² (20-14 AWG)
端子表面处理: 镀银
接线类型: 螺丝连接

PANEL CUT FOR INSERTS FOR USE
WITHOUT HOODS/ HOUSINGS
不装壳体的面板安装开孔尺寸



T2010322101-000	HA-016-M 17-32	HA-016 MALE INSERT 17-32 HA-016公插, 17-32
PART NUMBER 料号	PART DESCRIPTION 描述	

THIS DRAWING IS A CONTROLLED DOCUMENT.

DIMENSIONS:	TOLERANCES UNLESS OTHERWISE SPECIFIED:
mm	0 PLC ±-
	1 PLC ±-
	2 PLC ±-
	3 PLC ±-
	4 PLC ±-
	ANGLES ±-
MATERIAL	FINISH
-	-
-	-

DWN	22JAN2015
David Wang	
CHK	22JAN2015
Chris Wang	
APVD	22JAN2015
Xiang Xu	
PRODUCT SPEC	108-137045
APPLICATION SPEC	114-137045
WEIGHT	-
Customer Drawing	

		TE Connectivity	
		NAME HA-016-M 17-32	
SIZE	CAGE CODE	DRAWING NO	RESTRICTED TO
A3	00779	©-T2010322101000	-
SCALE		SHEET	REV
1:1		1 OF 1	C

Printed on 18 Jun 2021 14:41 (China Standard Time) from TE236667