

# Coupling device AGH150xx



# Coupling device AGH150xx



## Product description

The AGH150W or AGH150W-4 coupling device is designed to extend the nominal voltage range of the ISOMETER® iso685... and IRDH... series. The coupling device is connected to the system being monitored by two poles and connected to the terminal AK resp. L1/L2/L3 of the ISOMETER® by means of the terminal AKxxx.

## Approvals



## AGH150W-4

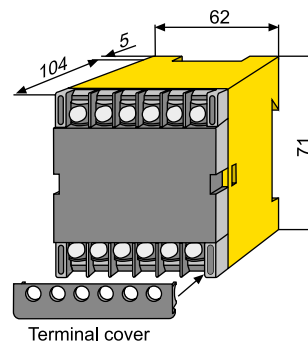


## Ordering information

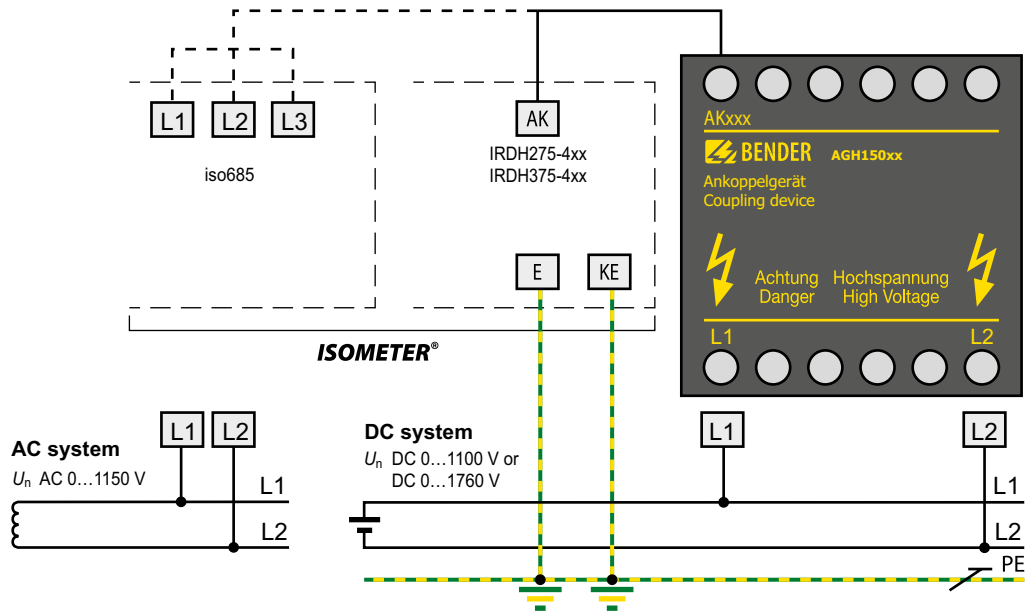
Nominal system voltage $U_n$		Type	Art. No.
AC	DC		
0...1150V	0...1100V	AGH150W	B915576
	0...1760V	AGH150W-4	B98018006

## Dimension diagram X150

Dimensions in mm



Wiring diagram



Technical data

Insulation coordination acc. to DIN EN 61800-5-1 (VDE 0160-105-1)

<b>AGH150W</b>	
Rated insulation voltage	AC 1000 V
Voltage test acc. to IEC 60255	12 kV
<b>AGH150W-4</b>	
Rated insulation voltage	AC 1600 V
Voltage test acc. to IEC 60255	17 kV

Voltage test acc. to DIN EN 61800-5-1 (VDE 0160-105-1)

<b>AGH150W</b>	
Voltage impulse test (basic insulation)	≥ AC 8 kV
AC voltage test (basic insulation)	≥ AC 4.3 kV
<b>AGH150W-4</b>	
Voltage impulse test (basic insulation)	≥ AC 11 kV
AC voltage test (basic insulation)	≥ AC 6.6 kV

Voltage ranges

<b>AGH150W</b>	
Nominal system voltage $U_n$	AC 0...1150 V, DC 0...1100 V
Frequency range of $U_n$ (sinus)	DC 1...460 Hz
Overvoltage category/rated impulse voltage	CAT III/≥8 kV
Internal DC resistance $R_i$	≥80 kΩ
Tolerance of internal DC resistance $R_i$	±2 kΩ

<b>AGH150W-4</b>	
Nominal system voltage $U_n$	AC 0...1150 V, DC 0...1760 V DC 0...1600 V (for UL applications)
Frequency range of $U_n$ (sinus)	DC 1...460 Hz
Overvoltage category/rated impulse voltage	CAT III/≥11 kV
Internal DC resistance $R_i$	≥160 kΩ
Tolerance of internal DC resistance $R_i$	±4 kΩ

Environment

Shock resistance IEC 60068-2-27 (device in operation)	15 g/11 ms
Bumping IEC 60068-2-29 (transport)	40 g/6 ms
Vibration resistance IEC 60068-2-6 (device in operation)	1 g/10...150 Hz
Vibration resistance IEC 60068-2-6 (transport)	2 g/10...150 Hz
Ambient temperature (during operation)	-10...+55 °C
Ambient temperature (during storage)	-40...+70 °C
Climatic class acc. to DIN IEC 60721-3-3	3K5 (except condensation and formation of ice)

Connection

Connection	flat terminals
Connection properties rigid/flexible	0.2...4/0.2...2.5 mm <sup>2</sup>

Other

Operating mode	continuous operation
Mounting	any position
Degree of protection, internal components (DIN EN 60529)	IP30
Degree of protection, terminals (DIN EN 60529)	IP20
DIN rail mounting acc. to	IEC 60715
Flammability class	UL94 V-0
Weight	≤ 900 g

\* The tolerance range affects the measured value of the insulation monitoring device used and must be taken into account accordingly



**Bender GmbH & Co. KG**

P.O. Box 1161 • 35301 Gruenberg • Germany  
Londorfer Strasse 65 • 35305 Gruenberg • Germany  
Tel.: +49 6401 807-0 • Fax: +49 6401 807-259  
E-Mail: [info@bender.de](mailto:info@bender.de) • [www.bender.de](http://www.bender.de)



**BENDER Group**